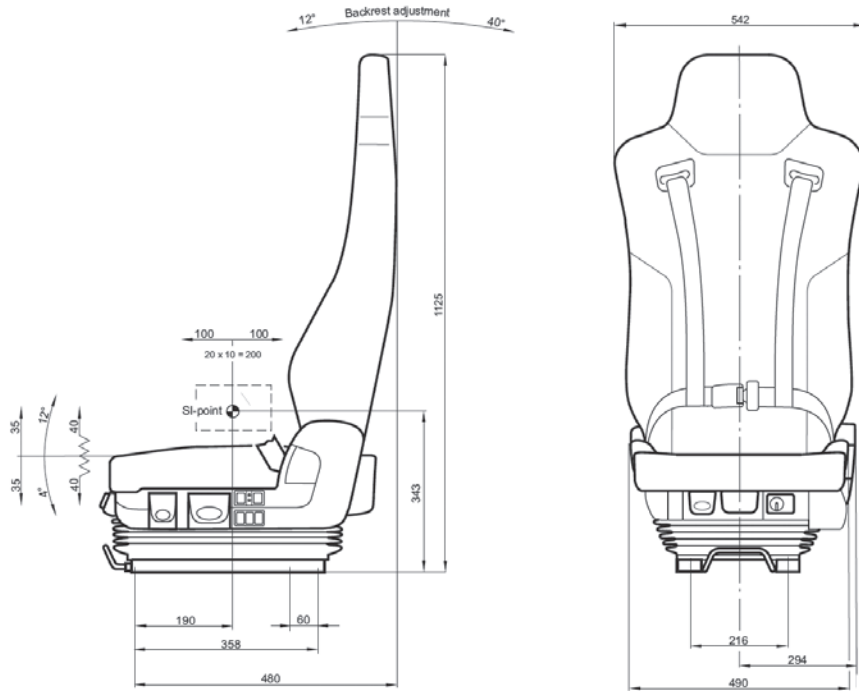


Seats for Construction Vehicles

ISRI 6830 KA/877 NTS 4-POINT

Driver's seat with pneumatic suspension

Subject to technical modifications.
Updated 01/2013



ISRINGHAUSEN Inc.
4269 Crosspoint Dr. Unit U
Ladson, SC 29456
USA
Phone: 833-249-5061 (Inside US)
843-225-1551 (Worldwide)



Seats for Construction Vehicles



ISRI 6830 KA/877 NTS 4-POINT

Driver's seat with pneumatic suspension

The innovative seat concept

The ISRI NTS 4-POINT with integrated 4-point belt system for special applications.



Seating – on a higher level.



ISRI 6830 KA/877 NTS 4-POINT

NTS seat with integrated 4-point belt system

Information concerning the seat

ID number: 812763-01 with climate system

ID number: 812763-02 without climate system

Standard upholstery: textile fabric

Logo is optional and can be stamped or embroidered.

ID number: 812763-02

ID number: 812763-01



Applications

- Earth moving machines
- Dump trucks
- Special vehicles (forestry, agriculture, cranes etc.)

Standards

- ISO 6683 Earth moving machines, seat belts and anchorings
- SAE J 386 Belt, US standard
- SAE J 2292 Belt, US standard
- ECE R16 Requirements belt system
- ECE R14 N2 Belt anchorage points (only in combination with vehicle inspection)
- ECE R17 Requirements headrest
- FMVSS 302 Flame resistance
- ISO 11112 Seat dimensions and comfort requirements
- ISO 7096 Corresponding to EM 1, 3-6, 8 and 9

Seat program

Equipment	812763-02	812763-01
Integrated compressor 24 V	●	●
Electronic control	●	●
Adjustable damper	●	●
Height adjustment (70 mm, optionally 100 mm) with memory function	●	●
Automatic weight adjustment (infinitely variable up to 150 kg)	●	●
Suspension stroke 80 mm	●	●
Length adjustment	●	●
Horizontal isolator	●	●
Integrated pneumatic system with lumbar support and side bolster support	●	●
Backrest adjustment	●	●
Seat cushion and tilt adjustment	●	●
4-point belt system (red, optionally black)	●	●
Shoulder adjustment	--	--
Foldable and tilting armrests	○	○
Adaption for control panel	○	○
Seat climate system 24 V	--	●

● Standard equipment ○ Option

Product advantages

- 4-point belt system
- Perfected seat ergonomics
- Reasonable arrangement of the operating elements
- High lateral and longitudinal stiffness
- Low lateral and longitudinal clearance of the seat