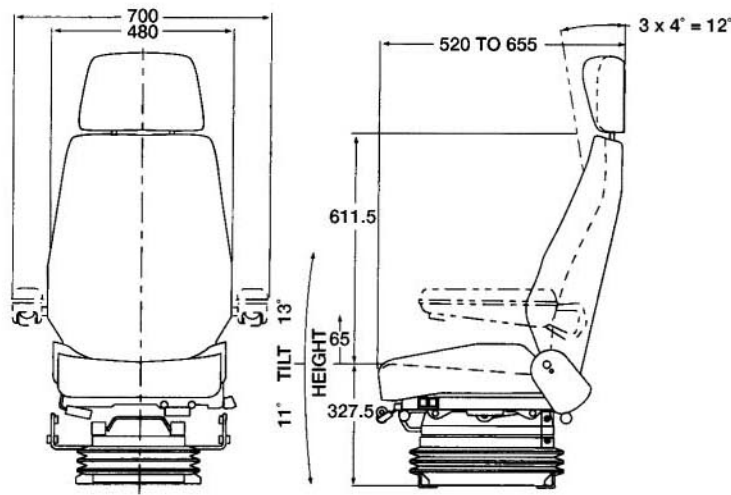


MODEL 6500CN

The 6500 Seat Features
self-leveling air
suspension with
mechanical height
adjustment. Easy
access to
adjustments for
simple, convenient
operation.




ISRINGHAUSEN
ISRI®



SHOWN WITH • SEAT SUSPENSION AT MID-RIDE • SEAT HEIGHT ADJUSTED LOW POSITION
DIMENSIONS IN MM

Features

Back Rest

Ensures full support by adjusting in 4 degree increments to fit any body contour. Available with High or Low back.

Air Lumbar Supports

Provides infinitely adjustable back support ensuring comfort during extended sitting periods.

Self-Leveling Air Suspension

Sets automatically when user sits down for optimal height and weight positioning. 50mm upward and 50mm downward stroke.

Mechanical Height/Slope Adjustment

Allows operator to adjust seat up, down and to various slopes permitting greater comfort.

Fore/Aft Adjustment

Allows user to choose desired seat position with front control bar. 3 1/2" forward and 3 1/2" aft.

86548 - Front control low back

86549 - Front control high back

86646 - Left side control low back

86647 - Left side control high back

*These part numbers do not specify options, only the base seat.

Options

Seat Controls

Available front mounted or side mounted.

Headrest

Four-way adjustable.

Armrest

Adjustable, polyurethane pad available in 2" or 4" wide construction.

Seat Belt/Tethers

Two-point lap with automatic locking retractor. 3" wide belt. 16" adjustable tethers.

Riser

Custom risers and bolt patterns for many applications.

Upholstery

Available in Black Vinyl or Black Cloth.

Heaters

Retro fit kit available.

