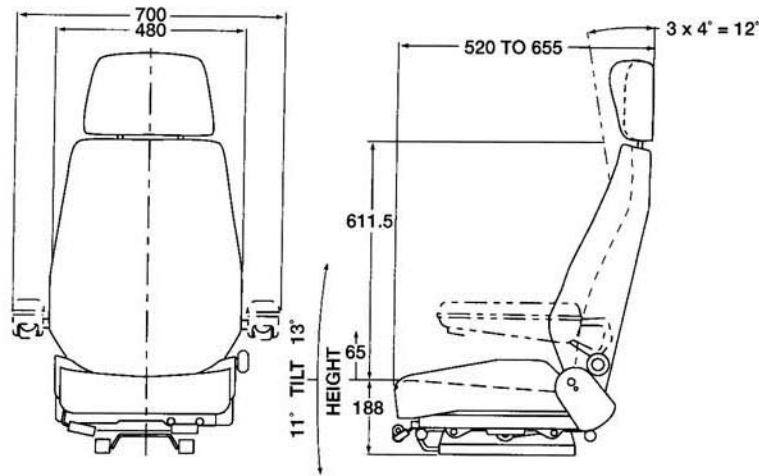


MODEL 1000CN

This static, non-suspension seat serves as a companion seat, but can also be used for drivers and operators. Easy access to adjustments for simple, convenient operation.




ISRINGHAUSEN
ISRI®



SHOWN WITH SEAT HEIGHT ADJUSTED LOW POSITION
DIMENSIONS IN MM

Features

Back Rest

Ensures full support by adjusting in 4 degree increments to fit any body contour. Available with High or Low back.

Mechanical Lumbar Supports

Provides infinitely adjustable back support ensuring comfort during extended sitting periods.

Mechanical Height/Slope Adjustment

Allows operator to adjust seat up, down and to various slopes permitting greater comfort.

Fore/Aft Adjustment

Allows user to choose desired seat position with front control bar. 3 1/2" forward and 3 1/2" aft.

86498 - Front control low back

86499 - Front control high back

86648 - Left side control low back

86649 - Left side control high back

*These part numbers do not specify options, only the base seat.

Options

Seat Controls

Available front mounted or side mounted.

Headrest

Four-way adjustable.

Armrest

Adjustable, polyurethane pad available in 2" or 4" wide construction.

Upholstery

Available in Black Vinyl or Black Cloth.

Heaters

Retro fit kit available.

