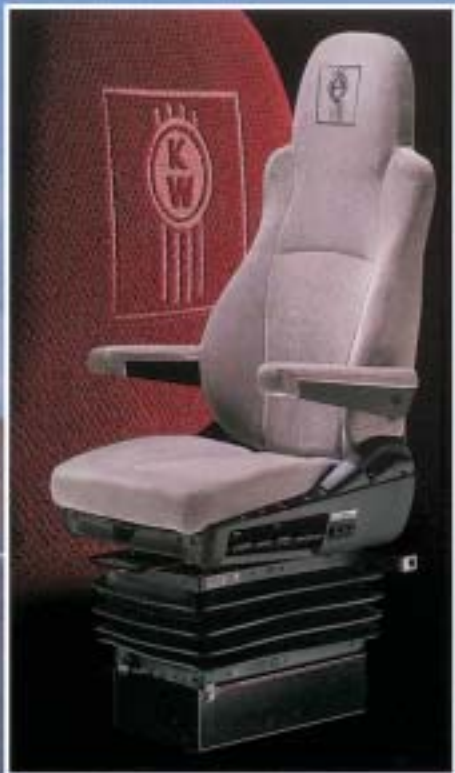


Comfort by Design

MODEL 6800 • PREMIUM SEAT

ISRINGHAUSEN and Kenworth have teamed together to offer a seat that sets new standards for comfort.

You'll never feel the same about driving.



ISRINGHAUSEN
ISRI

KENWORTH
A DIVISION OF PACCAR

Features

ISRI® seats feature superior design, ensuring long-lasting performance and comfort. All seats meet international quality and safety standards.

Back Rest

Adjustment range of up to 40 degrees in 2 degree increments, to fit most body contours.

Air Lumbar

Provides back support with upper and lower adjustments, ensuring comfort during extended use.

Air Side Bolster

Offers desired side support to avoid body side-sway.

Seat Cushion

Provides optimum comfort and support. Length extension adjustment of 2 inches.

Adjustable Seat Recline

Allows easy adjustment in five incline positions.

Self-Leveling Air Suspension

Sets automatically when user sits down for optimal height and weight positioning. 1.6 inches upward and 1.4 inches downward travel.

Air Height Adjustment

Moves seat up or down independent of other seat settings. Provides 4 inches of adjustment.

Fore/Aft Adjustment

Front control adjusts total seat travel 7 inches fore/aft.

Adjustable Shock Absorber

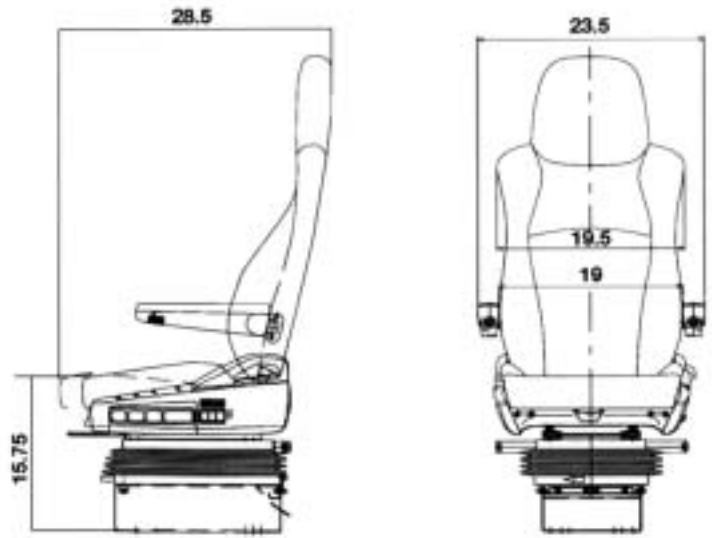
Provides for dampening adjustment of suspension ride based on road conditions, load and operator weight.

Quick Air Release

Exhausts all air from suspension, allowing for easy entry/exit. Returns seat to previous position when reactivated.

Isolator

Reduces fore and aft horizontal movement, ensuring smooth ride



DIMENSIONS IN INCHES

Options

Armrests

Adjustable upholstered armrests. Available for left or right side only, or both sides.

Customized Upholstery

Available in a variety of Kenworth® fabrics and colors.



Model 6800
Premium Seat



5450 West Dickman Road
Battle Creek, Michigan 49015
(269) 968-5333 (Outside U.S.)
(800) 468-4774 (Inside U.S.)
Fax: (269) 968-5330